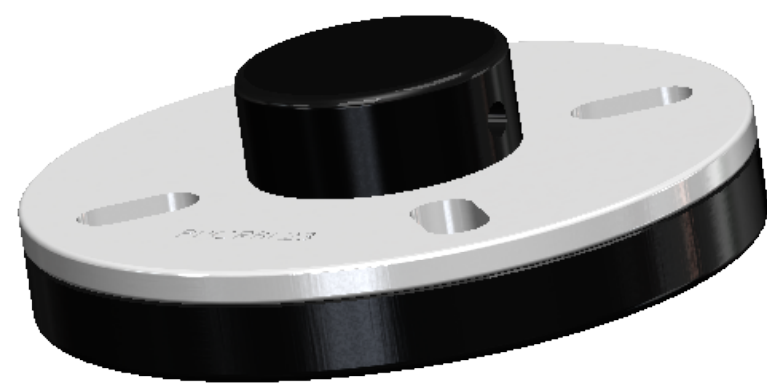
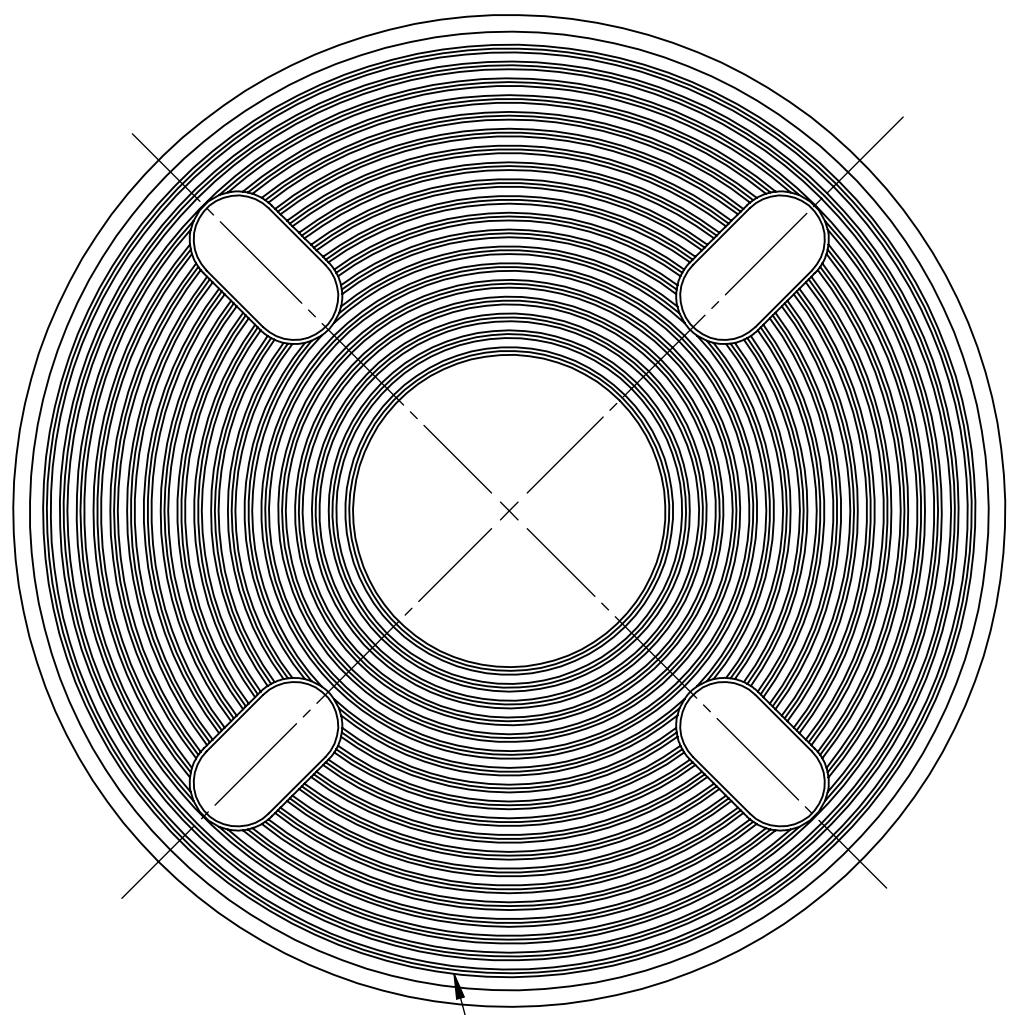
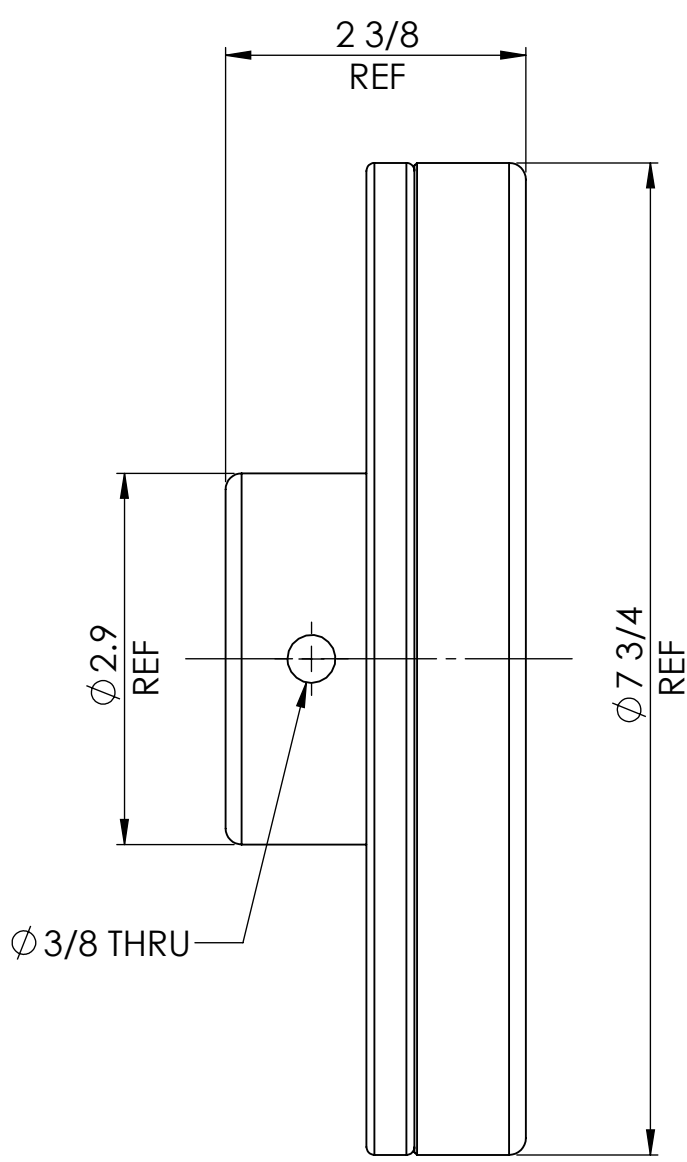
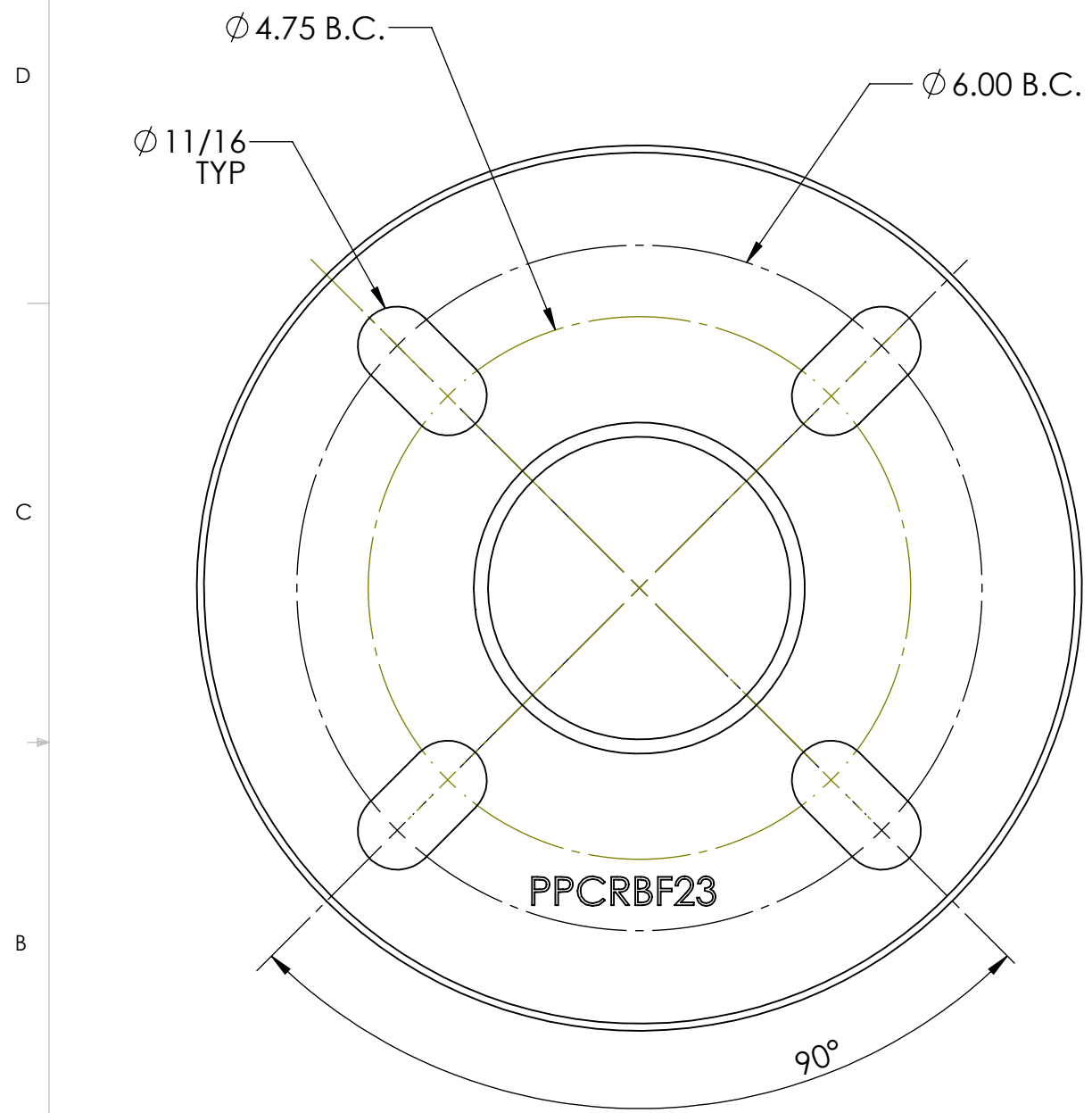


8 7 6 5 4 3 2 1

REVISIONS				
ZONE	REV.	DESCRIPTION	DATE	APPROVED
	A	INITIAL RELEASE	11/8/2021	DWB 11/8/2021

AAR APPROVAL # E222101



UNLESS OTHERWISE SPECIFIED:		NAME	DATE	POLYPETROCHEM
DIMENSIONS ARE IN INCHES TOLERANCES: FRACTIONAL $\pm \frac{1}{xx}$ ANGULAR: MACH $\pm 1^\circ$ TWO PLACE DECIMAL $\pm .015$ THREE PLACE DECIMAL $\pm .005$		DRAWN	JLP	
INTERPRET GEOMETRIC TOLERANCING PER:		CHECKED		TITLE: 2"-3" FLANGE ASSEMBLY
MATERIAL		ENG APPR.		SIZE B DWG. NO. PPCRBF23-SALES REV A
FINISH		MFG APPR.		SCALE: 1:2 WEIGHT: SHEET 1 OF 1
DO NOT SCALE DRAWING		Q.A.		
		PROPRIETARY AND CONFIDENTIAL THE INFORMATION CONTAINED IN THIS DRAWING IS THE SOLE PROPERTY OF <INSERT COMPANY NAME HERE>. ANY REPRODUCTION IN PART OR AS A WHOLE WITHOUT THE WRITTEN PERMISSION OF <INSERT COMPANY NAME HERE> IS PROHIBITED.		

D
C
B
A

D
C
B
A

8 7 6 5 4 3 2 1