

TRANSQUIP

U.S.A. INC



**INDEPENDENT & OBJECTIVE
TANK & FREIGHT CAR
ENGINEERING SERVICES**

**Fleet Engineering
Inspection
Training
Audits**

INDEPENDENT & OBJECTIVE



Need help with a particular issue, a specific project, or need continued support? We have the expertise to fulfill your needs.

Whether you need product information, industry-leading training, engineering support or inspection services, TransQuip provides a turn-key solution for all your tank car needs.



TEAM

60+ years of engineering, maintenance and regulatory expertise...

James Phipps – After 20 years as Trinity Rails Sr Project Engineer (new car design, construction & repair), James joined ExxonMobil as their senior engineer. He now joins TransQuip in 2021, offering a comprehensive tank and freight engineering program.



Joe Becherer – Joe started his railroad career in 1992 ACF before joining Trinity in 1999; rising to become their Director of Engineering. Upon joining TransQuip in 2010, Joe has successfully designed and introduced numerous new products to the tank car market. Joe is based in Dallas TX.



Walt Croson – started his career as an engineering consultant to industrial manufacturers. In 1986 he joined Union Tank Car as an engineer in their new car fleet department. Walt joined TransQuip in 1999 and is based in Chicago IL.



SERVICES:-

Inspection Services

TransQuip performs on average 3,000 existing/ retrofits and 1,500 new build inspections annually.

Inspections are not only required they minimize overall costs, transit delays, regulatory citations, potential for personal injury and environmental impact.



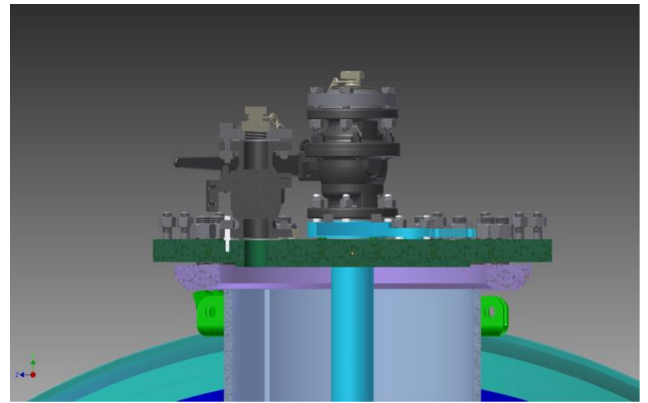
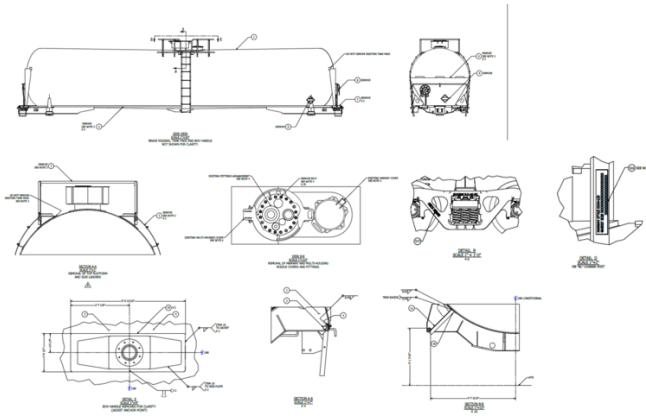
Training & Testing

From Hazmat to Welding to Valve to Quality Assurance. TransQuip offers over 15 different training courses to keep your facilities and personnel certified.

SERVICES:-

Engineering

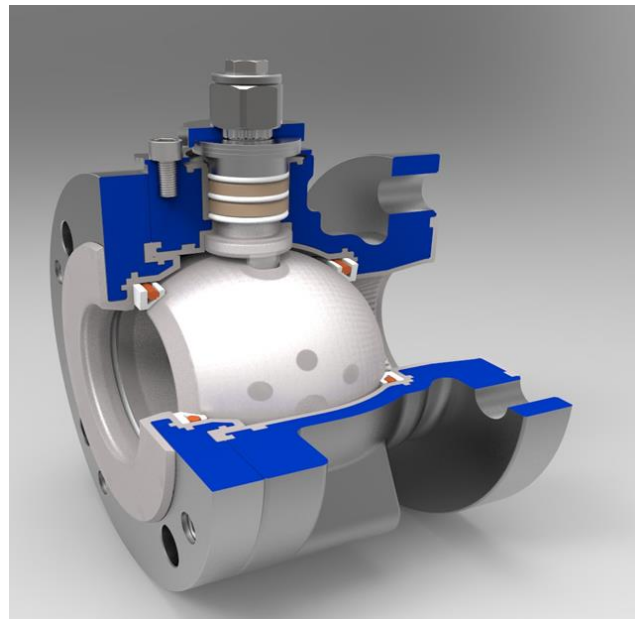
Assisting with new cars builds, drawings to retrofit an existing fleet, updating components or submitting documentation – TransQuip offers a vast array of engineering services.



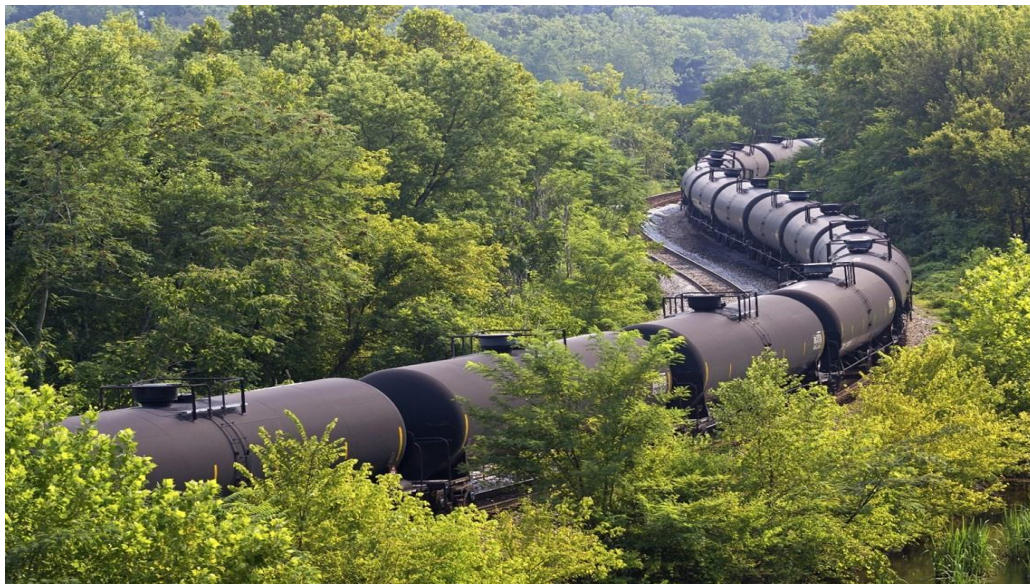
New OEM Product Design

Always looking for safer and more efficient way to do things, TransQuip leads the industry in new technologies. We design, test and approve solutions to your problems...

Recent successes include our innovative disengaging BOV handle, the single-bolt manway and most recently a PFA lined/ Zirconium ball valve.



OTHER BROCHURES



SOLUTIONS FOR GENERAL PURPOSE TANK CARS

INDUSTRY LEADING PERFORMANCE, SAFETY & RELIABILITY



SOLUTIONS FOR PRESSURE CAR

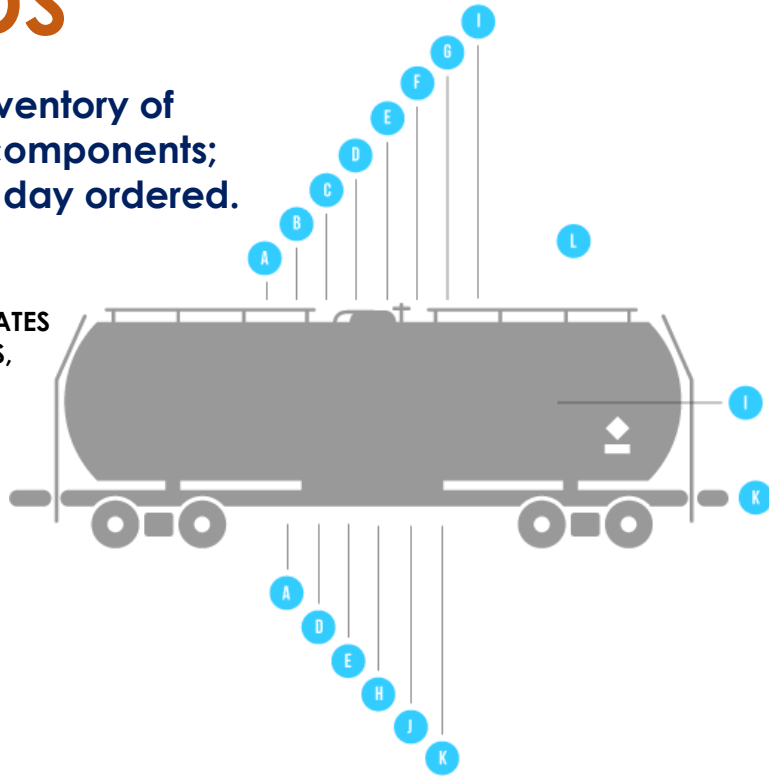
INDUSTRY LEADING PERFORMANCE, SAFETY & RELIABILITY

TRANSQUIP
U.S.A. INC

ALL YOUR NEEDS

TransQuip maintains the largest inventory of tank car service equipment and components; with 90% of orders shipped on the day ordered.

- A. NOZZLE CAPS, PLUGS, SADDLES & SKIDS
- B. MANWAYS, MANWAY COVERS/ COVER PLATES
- C. EYEBOLTS, SEAL PINS, DOME PINS, J-HOOKS, GROUND LUGS & STUDS
- D. DRY LOCK® & QUICK DISCONNECT
- E. TRANSZCOAT, COATINGS & DECALS
- F. CHEMRAZ®, GASKETS & O-RINGS
- G. GENERAL SERVICES VALVES
- H. PRESSURE CAR VALVES
- I. LEVEL DEVICES
- J. VALVE REPAIR KITS
- K. TANK CAR PARTS
- L. HEATING COMPONENTS



INDUSTRY PARTICIPATION



Contact Us

Main Office:
3360-C Lake Shore Boulevard
Jacksonville, Florida 32210
Phone: **904-388-6699**
Web: www.transquip.com

Distribution:

4619 North Sam Houston Parkway East
Houston, Texas 77032
Phone: **281-442-8000**
Email: sales@transquip.com

